

# OpenCook

EXPERIENCE ALFRESCO COOKING AT ITS BEST



# Open'Cook

## Contents

<b>Introduction to Open'Cook</b>	03		
<b>Open'Cook Mobile Range</b>	04		
<b>Open'Cook Integrated Range</b>	06		
<b>Individual Modules Specifications</b>	08 - 30	→	
<b>Integrated Modules Installation Guidance</b>	32		
<b>Accessories</b>	34		
<b>Important Information</b>	38		
<b>Terms &amp; Conditions</b>	39		
		<b>Mobile Modules Without Lids</b>	
		WTG 410/420 Hobs & lava rock grill 600mm wide	08
		<b>Mobile Modules With &amp; Without Lids</b>	
		WTG 720/730 Hobs, plancha & lava rock grill 900mm wide	10
		<b>Mobile Modules With Lids &amp; Shelves</b>	
		WTG 720/730 Hobs, plancha & lava rock grill 1320mm wide	12
		WTG 1030 Hobs with plancha 1620mm wide	14
		<b>Mobile Oven Module</b>	
		WTA 701 Forced convection (fan) oven	16
		<b>Integrated Modules With Lids</b>	
		WSG 420/410 Gas hobs 400mm wide	18
		WSG 1050/1040/1030 Gas hob & gas hob with plancha 1000mm wide	20
		WSG 410/720 Lava rock grill 400mm & 700mm wide	22
		WSG 720/1440 Plancha, lava rock grill 700mm & 1400mm wide	24
		<b>Integrated Modules With Lids &amp; Optional Hob Element</b>	
		WSG 1120 Plancha & Lava rock grill 1100mm wide – option left	26
		WSG 1120 Plancha & Lava rock grill 1100mm wide – option right	28
		<b>Integrated Modules With Lids &amp; Two Optional Hob Element</b>	
		WSG 1520 Plancha & Lava rock grill 1500mm wide	30



## Introduction to Open'Cook

Food cooked alfresco always tastes delicious. From the renowned factory of Lacanche, there is now a range of cooking equipment that brings all the performance of your Lacanche range cooker to your outdoor kitchen. From your house kitchen to your outdoor kitchen, Open'Cook brings all the features that you would expect of your Lacanche range, making entertaining alfresco a culinary event.

With Open'Cook you can choose either fully mobile modules with gas bottle storage, or a fully integrated range ready to be easily installed into your outdoor kitchen furniture.

Open'Cook offers a wide range of cooking options to suit all your culinary needs. The lava rock grill can add a unique smoky flavour to meats and vegetables, whilst the large, enamelled gas fired plancha is versatile enough to cook fish, meats, vegetables and can also be used to hold food before serving. The powerful gas burners are perfect for stir-fries and sauces. The fully mobile electric convection (fan) oven is convenient for baking and roasting. With the ability to hold five GN1/1 trays, this oven can accommodate a variety of dishes at once, making it a great option for larger alfresco gatherings or events.

Just like a Lacanche range, every Open'Cook is handmade to exacting standards and is engineered to give years of use and culinary pleasure. With its powerful performance, robust design, and built-in safety features, Open'Cook is the perfect choice for your outdoor kitchen.

For all your alfresco entertaining needs, Open'Cook has all the cooking options to make your garden entertaining a breeze.



# OpenCook

## Open'Cook Mobile Range

With Open'Cook, the outdoor kitchen can be organised according to your needs and the space you have available. The flexibility to choose and arrange your Open'Cook mobile modules as you desire with modules of different widths (600mm, 900mm, 1320mm, 1620mm) and electric oven, can all be linked together using the intermediate shelves (WTDL320 page 35).

Developed from our professional range, Open'Cook brings serious professional performance to your alfresco dining. Open'Cook module are constructed on a sturdy steel chassis with heavy duty castors, making each module easy to maneuver and setup ready for use. Open'Cook mobile gas modules have their own location for storage of the gas bottle and are equipped with battery ignition to each burner.





Large, enamelled cast iron plancha (500 x 400 mm) with two independent heating zones. Ideal for meats, fish and vegetables. Can also be used to hold food after cooking

Chrome-plated die-cast aluminium control knobs

Lift-up lid in stainless steel with anti-tipping device

High performance burners (from 3 to 5kW) with thermocouple safety. Electric ignition burners with autonomous battery

The intermediate shelves (WTDL) make it possible to join two Open'Cook modules together. The available surface is used as a work surface

Stainless steel worktop

Side shelf

Juice collection tray removable stainless-steel tray. Capacity: 1.2 litres

LPG bottle storage are with stainless steel cover

Large capacity forced convection (fan) electric oven (5 Gastronorm 1/1 levels) for cooking and maintaining the temperature. Power: 3500 W. Power supply: 230 V 16amp

# OpenCook

## Open'Cook Integrated Range

For the ultimate outdoor kitchen experience to entertain your guests, you can now seamlessly integrate Open'Cook into your outdoor kitchen furniture, bringing serious professional performance to your alfresco dining. Lava rock grills, plancha's and gas burners of different widths (400mm, 700mm, 1000mm, 1100mm, 1500mm) and configurations can all be easily built-in for that elegant contemporary look. With a number of the larger Open'Cook hobs you can also select you own hob options, such as additional burners or grills.



### **WSG 410 CKG-CD**

6kW Lava rock grill  
Single burner  
Cooking area 270 x 470mm





**WSG 720 PL-CD**

6kW Cast iron enameled plancha  
Dual burner  
Cooking area 500 x 460mm



**WSG 420 R-CD**  
**WSG 720 CKG-CD**

3kW burners +  
12kW Lava rock grill  
Dual burner  
Cooking area 520 x 470mm



**WSG 1520 PL-CD**

6kW Cast iron enameled plancha  
Cooking area 500 x 460mm  
6kW Lava rock grill  
Cooking area 270 x 470mm  
Two 3kW burners



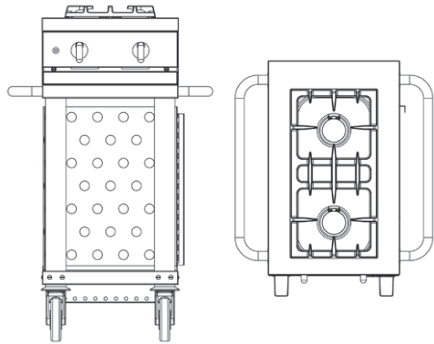
# OpenCook

MOBILE MODULES

WTG 410 420







## 2 Burner Hob

**Dimensions:**  
Width 600mm  
Depth 650mm  
Height 950mm

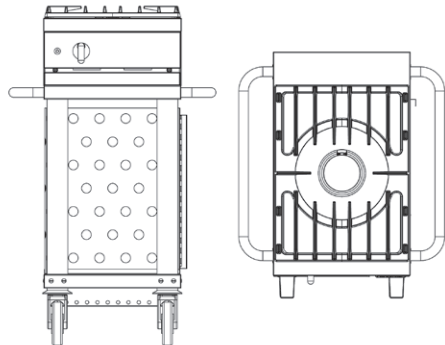
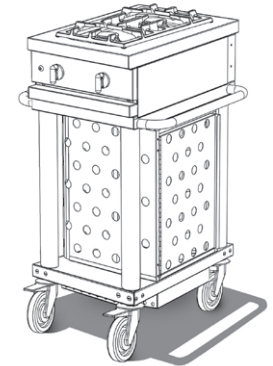
**WTG 420 R**  
**£2175.00**

With self-stabilising stainless-steel lid

**WTG 420 R-C**  
**£2810.00**

### Specifications:

- Two burners of 3kW
- Enamelled pan stands
- Stainless steel hob
- Thermocouple security for each burner
- Electric ignition by LR6/AA -1.5 V battery
- 4 castors Ø 125 mm, two of which have locking brakes
- Complete with gas hose and regulator
- Bottle cover with perforated walls
- Max bottle diameter 310mm. Max height 615mm



## 5kW Burner Hob

**Dimensions:**  
Width 600mm  
Depth 650mm  
Height 950mm

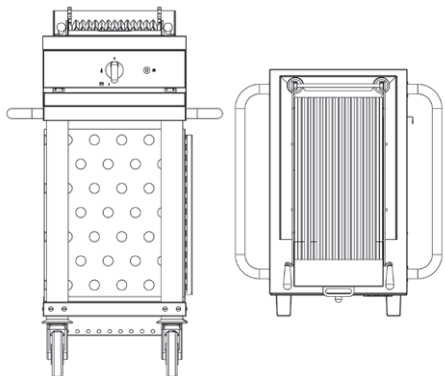
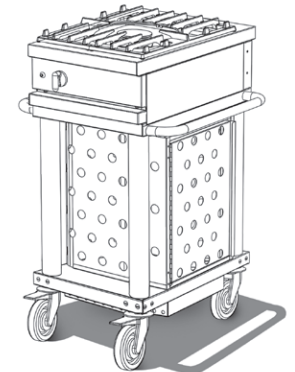
**WTG 410 UR**  
**£2135.00**

With self-stabilising stainless-steel lid

**WTG 410 UR-C**  
**£2770.00**

### Specifications:

- One burner of 5kW
- Enamelled pan stands
- Stainless steel hob
- Thermocouple security for each burner
- Electric ignition by LR6/AA -1.5 V battery
- 4 castors Ø 125 mm, two of which have locking brakes
- Complete with gas hose and regulator
- Bottle cover with perforated walls
- Max bottle diameter 310mm. Max height 615mm



## Lava Rock Grill

**Dimensions:**  
Width 600mm  
Depth 650mm  
Height 950mm

**WTG 410 CKG**  
**£3060.00**

With self-stabilising stainless-steel lid

**WTG 410 CKG-C**  
**£3690.00**

### Specifications:

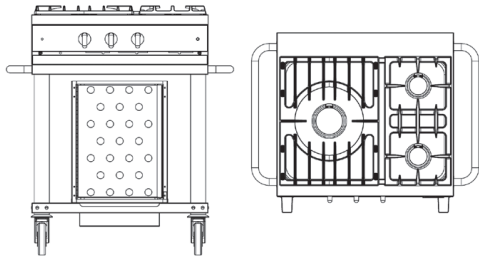
- Gas burner 6kW
- Cooking surface area 270 x 470 mm
- Adjustable cooking height on three levels.
- Cooking juice recovery system with removable collector
- Electric ignition by LR6/AA -1.5V battery
- Thermocouple security for burner
- Supplied with a 3 kg bag of lava stones
- 4 castors Ø 125 mm, two of which have locking brakes
- Complete with gas hose and regulator
- Bottle cover with perforated walls
- Max bottle diameter 310mm. Max height 615mm

# OpenCook

MOBILE MODULES

WTG 720 730





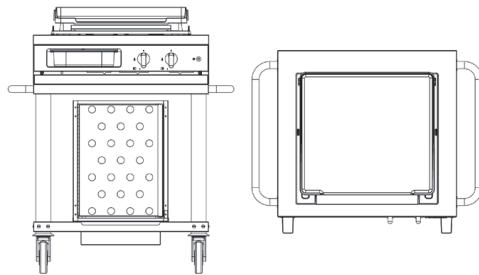
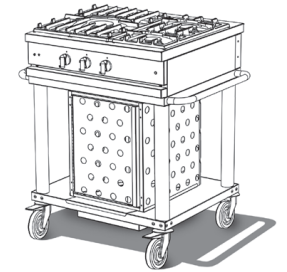
### 3 Burner Hob

**Dimensions:**  
 Width 900mm  
 Depth 650mm  
 Height 950mm

**WTG 730**  
**£2860.00**

**Specifications:**

- One burner of 5kW
- Two burners of 3kW
- Enamelled pan stands
- Stainless steel hob
- Thermocouple security for each burner
- Electric ignition by LR6/AA -1.5 V battery
- 4 castors Ø 125 mm, two of which have locking brakes
- Complete with gas hose and regulator
- Bottle cover with perforated walls
- Max bottle diameter 310mm. Max height 615mm



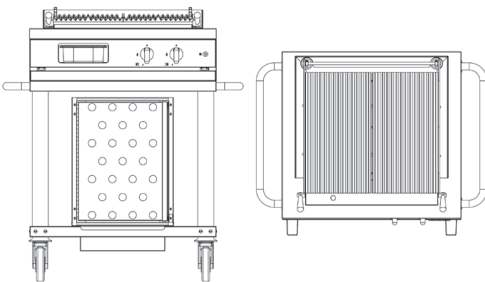
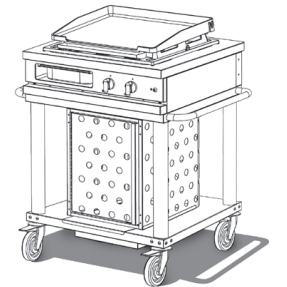
### Enamelled Plancha

**Dimensions:**  
 Width 900mm  
 Depth 650mm  
 Height 950mm

**WTG 720 PL**  
**£3740.00**

**Specifications:**

- Enamelled cast iron 6kW Plancha
- Cooking area size 500mm x 460mm
- Two 3kW independently controlled heat zones
- Cooking juice recovery system with removable collector
- Stainless steel hob
- Thermocouple security for each burner
- Electric ignition by LR6/AA -1.5 V battery
- 4 castors Ø 125 mm, two of which have locking brakes
- Complete with gas hose and regulator
- Bottle cover with perforated walls
- Max bottle diameter 310mm. Max height 615mm



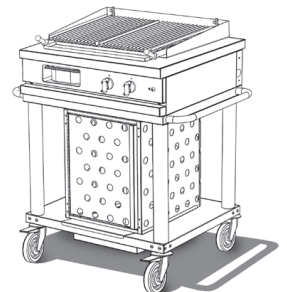
### Lava Rock Grill

**Dimensions:**  
 Width 900mm  
 Depth 650mm  
 Height 950mm

**WTG 720 CKG**  
**Lava stone grill**  
**£3840.00**

**Specifications:**

- Gas burner 12kW
- Two independently controlled heat zone
- Cooking surface area 520 x 470 mm
- Adjustable cooking height on three levels.
- Cooking juice recovery system with removable collector
- Electric ignition by LR6/AA -1.5V battery
- Thermocouple security for burner
- Supplied with a 6 kg bag of lava stones
- 4 castors Ø 125 mm, two of which have locking brakes
- Complete with gas hose and regulator
- Bottle cover with perforated walls
- Max bottle diameter 310mm. Max height 615mm

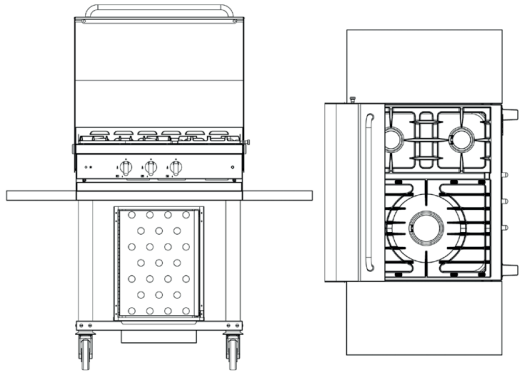


# OpenCook

**MOBILE MODULES  
WITH LID**

**WTG** 720 730





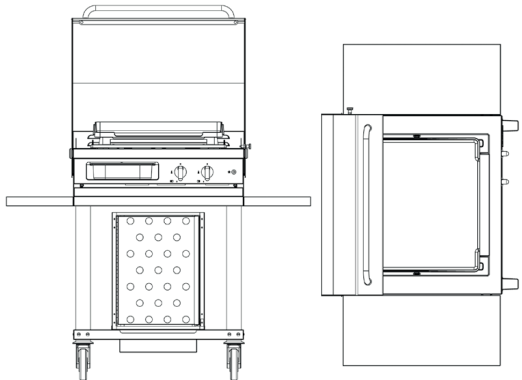
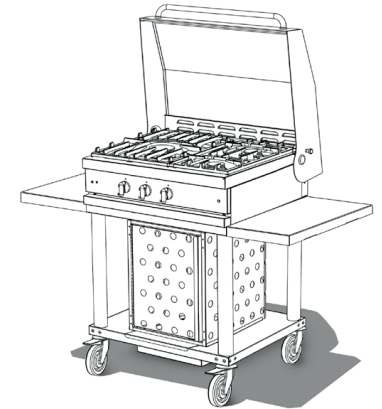
### 3 Burner Hob

**Dimensions:**  
 Width 1320mm  
 Depth 650mm  
 Height 950mm

**WTG 730-C**  
**£3500.00**

**Specifications:**

- One burner of 5kW
- Two burners of 3kW
- Enamelled pan stands
- With self-stabilising stainless-steel lid
- Stainless steel hob
- Removable side shelves (x2)
- Thermocouple security for each burner
- Electric ignition by LR6/AA -1.5 V battery
- 4 castors Ø 125 mm, two of which have locking brakes
- Complete with gas hose and regulator
- Bottle cover with perforated walls
- Max bottle diameter 310mm. Max height 615mm



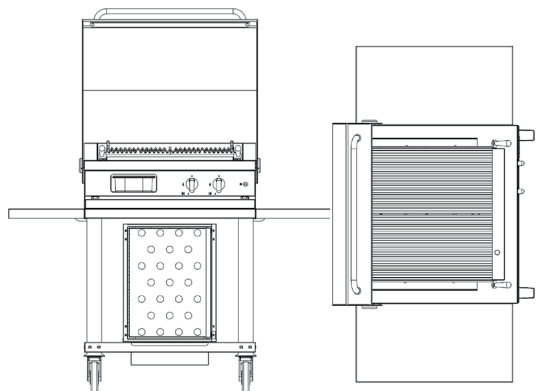
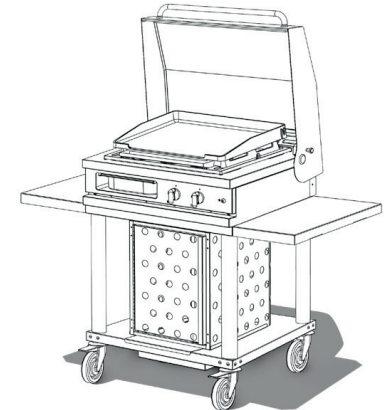
### Enamelled Plancha

**Dimensions:**  
 Width 1320mm  
 Depth 650mm  
 Height 950mm

**WTG 720 PL-C**  
**£3450.00**

**Specifications:**

- Enamelled cast iron 6kW Plancha
- Cooking area size 500mm x 460mm
- Two 3kW independently controlled heat zones
- Cooking juice recovery system with removable collector
- With self-stabilising stainless-steel lid
- Stainless steel hob
- Removable side shelves (x2)
- Thermocouple security for each burner
- Electric ignition by LR6/AA -1.5 V battery
- 4 castors Ø 125 mm, two of which have locking brakes
- Complete with gas hose and regulator
- Bottle cover with perforated walls
- Max bottle diameter 310mm. Max height 615mm



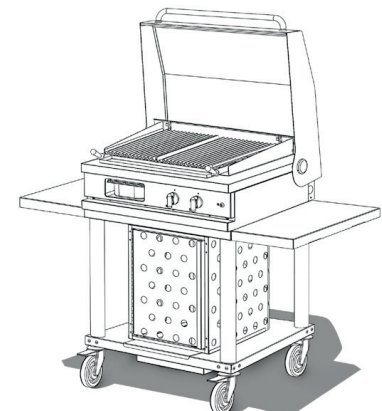
### Lava Rock Grill

**Dimensions:**  
 Width 1320mm  
 Depth 650mm  
 Height 950mm

**WTG 720 CKG-C**  
**£4630.00**

**Specifications:**

- Gas burner 12kW
- Two independently controlled heat zone
- Cooking surface area 520 x 470 mm
- Adjustable cooking height on three levels.
- Cooking juice recovery system with removable collector
- Removable side shelves
- Electric ignition by LR6/AA -1.5V battery
- Thermocouple security for burner
- Supplied with a 6 kg bag of lava stones
- 4 castors Ø 125 mm, two of which have locking brakes
- Complete with gas hose and regulator
- Bottle cover with perforated walls
- Max bottle diameter 310mm. Max height 615mm

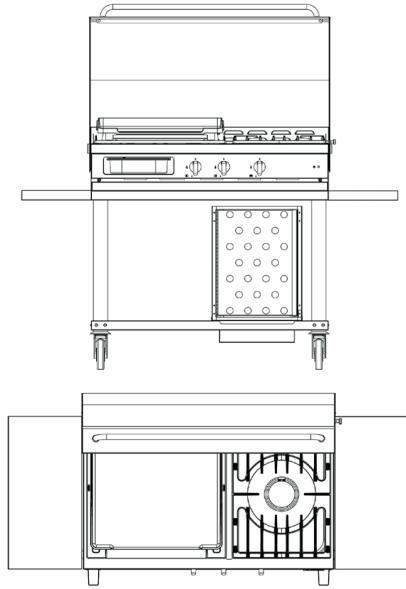


# OpenCook

**MOBILE MODULES  
WITH LID**

**WTG** 1030





## Enamelled Plancha With 5kW Burner

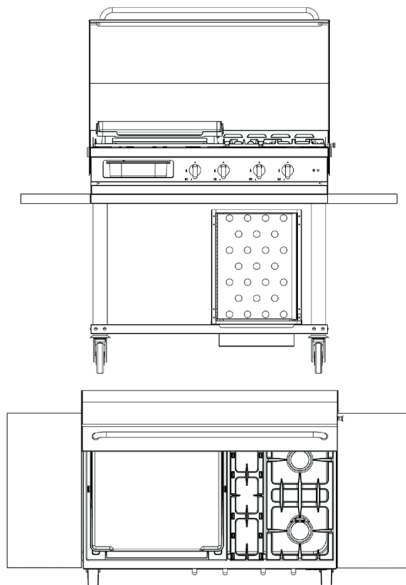
### Dimensions:

Width 1620mm  
Depth 650mm  
Height 950mm

**WTG1030 PL-C**  
**£4230.00**

### Specifications:

- Enamelled cast iron 6kW Plancha
- Cooking area size 500mm x 460mm
- Two 3kW independently controlled heat zones
- Cooking juice recovery system with removable collector
- One burner of 5kW
- Enamelled pan stand
- Stainless steel hob
- With self-stabilising stainless-steel lid
- Removable side shelves (x2)
- Thermocouple security for each burner
- Electric ignition by LR6/AA -1.5 V battery
- 4 castors Ø 125 mm, two of which have locking brakes
- Complete with gas hose and regulator
- Bottle cover with perforated walls
- Max bottle diameter 310mm. Max height 615mm
- Optional Suspended rack system WECH 350 page 35



## Enamelled Plancha With 3kW Burners

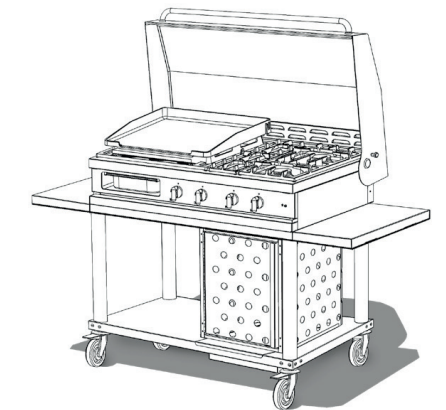
### Dimensions:

Width 1620mm  
Depth 650mm  
Height 950mm

**WTG 1040 PL-C**  
**£4330.00**

### Specifications:

- Enamelled cast iron 6kW Plancha
- Cooking area size 500mm x 460mm
- Two 3kW independently controlled heat zones
- Cooking juice recovery system with removable collector
- Two 3kW burners
- Enamelled pan stand
- Stainless steel hob
- Thermocouple security for each burner
- Electric ignition by LR6/AA -1.5 V battery
- 4 castors Ø 125 mm, two of which have locking brakes
- Complete with gas hose and regulator
- Bottle cover with perforated walls
- Max bottle diameter 310mm. Max height 615mm
- Optional Suspended rack system WECH 350 page 35



# OpenCook

**MOBILE MODULES  
WITH LID**

**WTA** 701





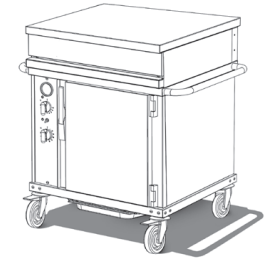
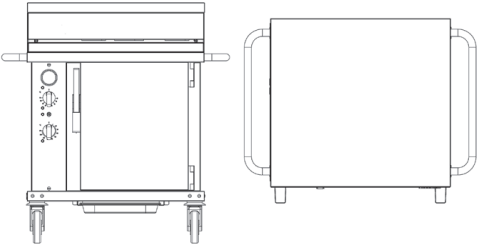
## Electric Convection Oven

**Dimensions:**  
Width 900mm  
Depth 650mm  
Height 950mm

**WTA 701 CT**  
£3840.00

### Specifications:

- Forced convection (fan) oven
- Thermostat 50 °C – 280 °C
- 6 levels suitable for GN1/1 containers
- Oven internal Size 79 Litres (D)550 x (W)330 x (H)435mm
- Two oven racks
- Total power 3500W
- Power supply 16amp 230v N + T
- Electrical connection 16amp commando plug
- 4 castors Ø 125 mm, two of which have locking brakes

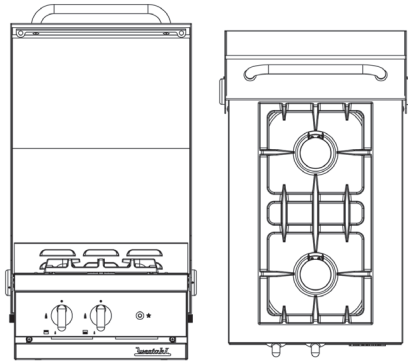


# OpenCook

INTEGRATED MODULES  
WITH LIDS

WSG 420 410





## 2 Burner Hob

**Dimensions:**  
 Width 400mm  
 Depth 650mm  
 Height 210mm

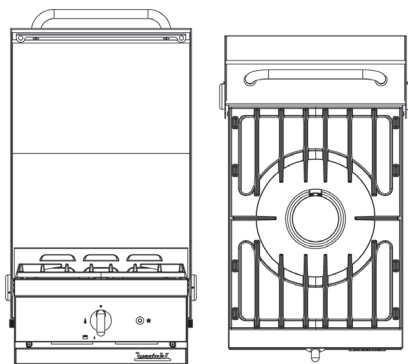
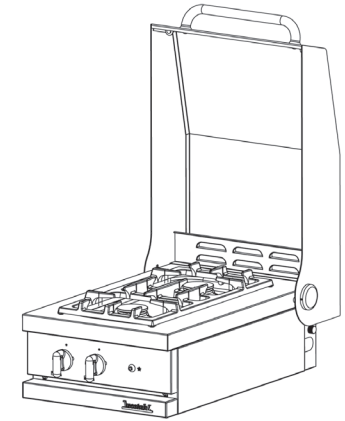
**WSG 420 R-CD**  
**£1870.00**

Battery ignition  
 LR6/AA-1,5 V  
 to burners

**WAEB**  
**£80.00**

### Specifications:

- Two burners of 3kW
- Enamelled pan stand
- With self-stabilising stainless-steel lid
- Stainless steel hob
- Thermocouple security for each burner
- Ignition to burners
- Power supply 13amp 230v N + T
- Gas supply standard LPG bottle



## 5KW Burner Hob

**Dimensions:**  
 Width 400mm  
 Depth 650mm  
 Height 210mm

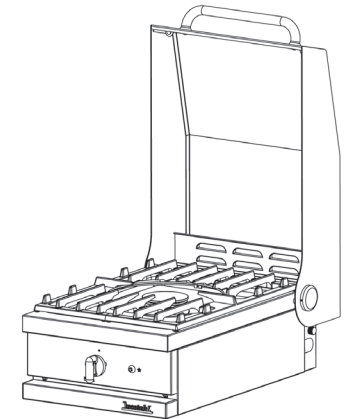
**WSG 410 UR-CD**  
**£1830.00**

Battery ignition  
 LR6/AA-1,5 V  
 to burners

**WAEB**  
**£80.00**

### Specifications:

- One burner of 5kW
- Enamelled pan stand
- With self-stabilising stainless-steel lid
- Stainless steel hob
- Thermocouple security for each burner
- Ignition to burners
- Power supply 13amp 230v N + T
- Gas supply standard LPG bottle

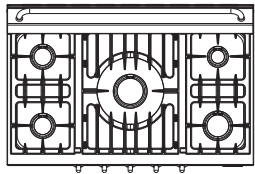
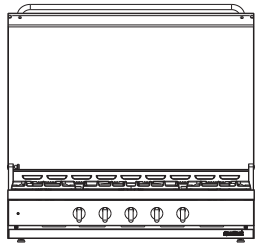


# OpenCook

**INTEGRATED MODULES  
WITH LIDS**

<b>WSG</b>	1050	1040	1030
------------	------	------	------





## 5 Burner Hob

**Dimensions:**  
Width 1000mm  
Depth 650mm  
Height 210mm

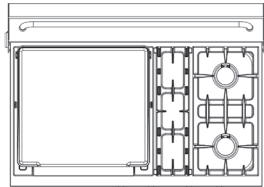
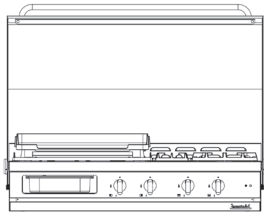
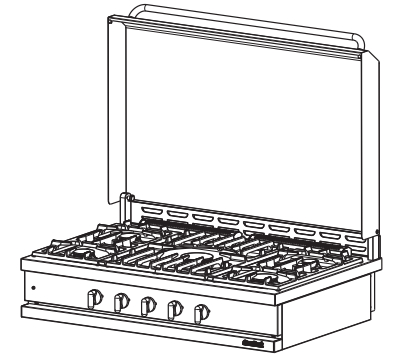
**WSG 1050-CD**  
**£3160.00**

Battery ignition  
LR6/AA-1,5 V  
to burners

**WAEB**  
**£80.00**

### Specifications:

- One burner of 5kW
- One burner of 4kW
- Two burners of 3kW
- One burner of 1.5kW
- Enamelled pan stand
- With self-stabilising stainless-steel lid
- Stainless steel hob
- Thermocouple security for each burner
- Ignition to burners
- Power supply 13amp 230v N + T
- Gas supply standard LPG bottle



## Enamelled Plancha With 3kW Burners

**Dimensions:**  
Width 1000mm  
Depth 650mm  
Height 210mm

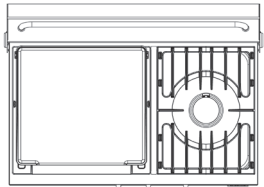
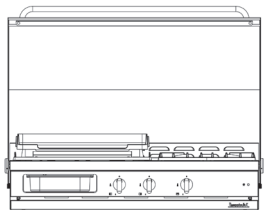
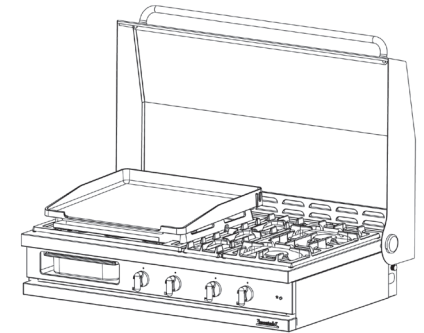
**WSG 1040 PL-CD**  
**£3220.00**

Battery ignition  
LR6/AA-1,5 V  
to burners

**WAEB**  
**£80.00**

### Specifications:

- Enamelled cast iron 6kW Plancha
- Cooking area size 500mm x 460mm
- Two 3kW independently controlled heat zones
- Cooking juice recovery system with removable collector
- Two 3kW burner
- Enamelled pan stand
- With self-stabilising stainless-steel lid
- Stainless steel hob
- Thermocouple security for each burner
- Ignition to burners
- Power supply 13amp 230v N + T
- Gas supply standard LPG bottle



## Enamelled Plancha With 5kW Burner

**Dimensions:**  
Width 1000mm  
Depth 650mm  
Height 210mm

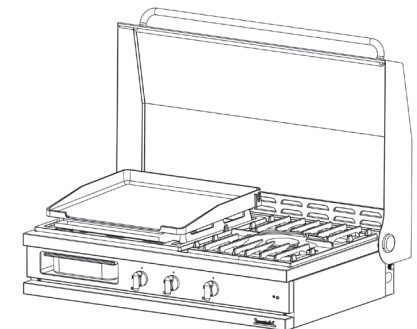
**WSG 1030 PL-CD**  
**£3120.00**

Battery ignition  
LR6/AA-1,5 V  
to burners

**WAEB**  
**£80.00**

### Specifications:

- Enamelled cast iron 6kW Plancha
- Cooking area size 500mm x 460mm
- Two 3kW independently controlled heat zones
- Cooking juice recovery system with removable collector
- One 5kW burner
- Enamelled pan stand
- Stainless steel hob
- Thermocouple security for each burner
- Ignition to burners
- Power supply 13amp 230v N + T
- Gas supply standard LPG bottle

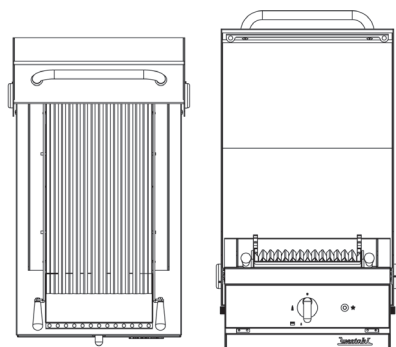


# OpenCook

**INTEGRATED MODULES  
WITH LIDS**

<b>WSG</b>	410	720
------------	-----	-----





## Lava Rock Grill

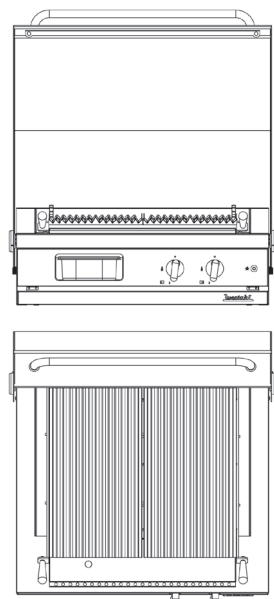
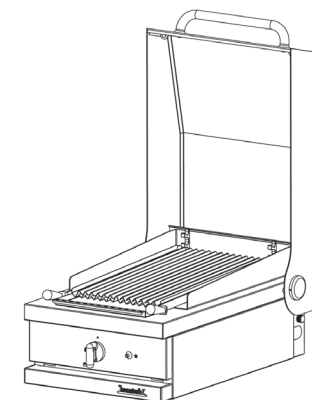
**Dimensions:**  
 Width 400mm  
 Depth 650mm  
 Height 210mm

**WSG 410 CKG-CD**  
**£2860.00**

Battery ignition  
 LR6/AA-1,5 V  
 to burners  
**WAEB**  
**£80.00**

### Specifications:

- Gas burner 6kW
- Cooking surface area 270 x 470 mm
- Removable steel grid
- Adjustable cooking height on three levels
- Cooking juice recovery system with removable collector
- With self-stabilising stainless-steel lid
- Thermocouple security for burner
- Ignition to burner
- Power supply 13amp 230v N + T
- Supplied with a 3 kg bag of lava stones
- Gas supply standard LPG bottle



## Lava Rock Grill

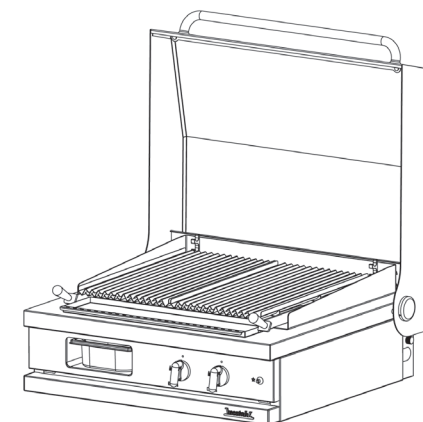
**Dimensions:**  
 Width 700mm  
 Depth 650mm  
 Height 210mm

**WSG 720 CKG-CD**  
**£3650.00**

Battery ignition  
 LR6/AA-1,5 V  
 to burners  
**WAEB**  
**£80.00**

### Specifications:

- Gas burner 12kW
- Cooking surface area 520 x 470 mm.
- Removable steel grid
- Adjustable cooking height on three levels
- Cooking juice recovery system with removable collector
- With self-stabilising stainless-steel lid
- Thermocouple security for burner
- Ignition to burner
- Power supply 13amp 230v N + T
- Supplied with a 6 kg bag of lava stones
- Gas supply standard LPG bottle



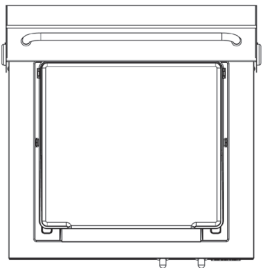
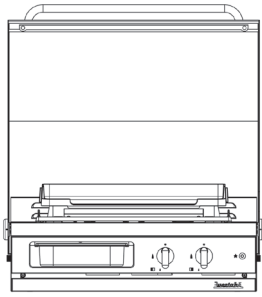
# OpenCook

**INTEGRATED MODULES  
WITH LIDS**

<b>WSG</b>	720	1440
------------	-----	------







## Enamelled Plancha

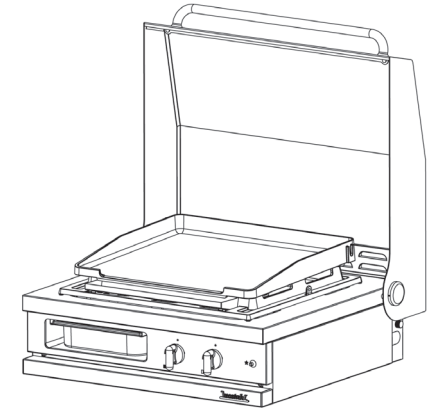
**Dimensions:**  
 Width 700mm  
 Depth 650mm  
 Height 210mm

**WSG 720 PL-CD**  
**£2560.00**

Battery ignition  
 LR6/AA-1,5 V  
 to burners  
**WAEB**  
**£80.00**

### Specifications:

- Enamelled cast iron 6kW Plancha
- Cooking area size 500mm x 460mm
- Two 3kW independently controlled heat zones
- Cooking juice recovery system with removable collector
- With self-stabilising stainless-steel lid
- Stainless steel hob
- Thermocouple security for each burner
- Ignition to burners
- Power supply 13amp 230v N + T
- Gas supply standard LPG bottle



## Plancha & Lava Rock Grill

**Dimensions:**  
 Width 1400mm  
 Depth 650mm  
 Height 210mm

**WSG 1440 PLCK-CD**  
**£5520.00**

Battery ignition  
 LR6/AA-1,5 V  
 to burners  
**WAEB**  
**£80.00**

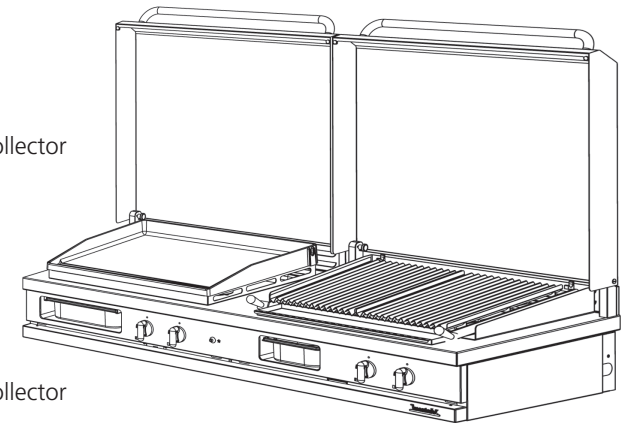
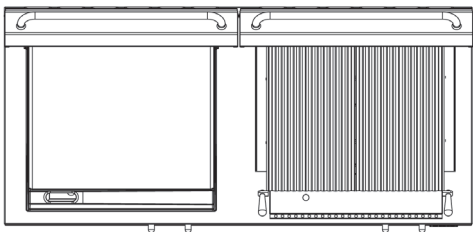
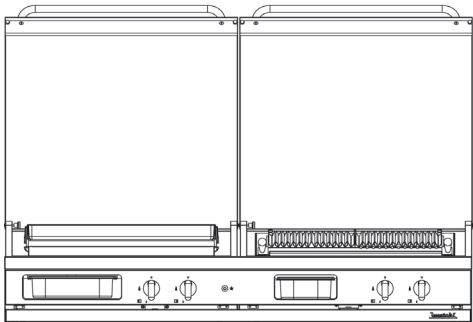
### Specifications:

#### Plancha:

- Enamelled cast iron 6kW Plancha
- Cooking area size 500mm x 460mm
- Two 3kW independently controlled heat zones
- Cooking juice recovery system with removable collector
- With self-stabilising stainless-steel lid
- Gas supply standard LPG bottle

#### Lava Rock Grill:

- Gas burner 12kW
- Cooking surface area 520 x 470 mm
- Removable steel grid
- Adjustable cooking height on three levels
- Cooking juice recovery system with removable collector
- With self-stabilising stainless-steel lid
- Thermocouple security for burner
- Ignition to burner
- Power supply 13amp 230v N + T
- Supplied with a 6 kg bag of lava stones
- Gas supply standard LPG bottle

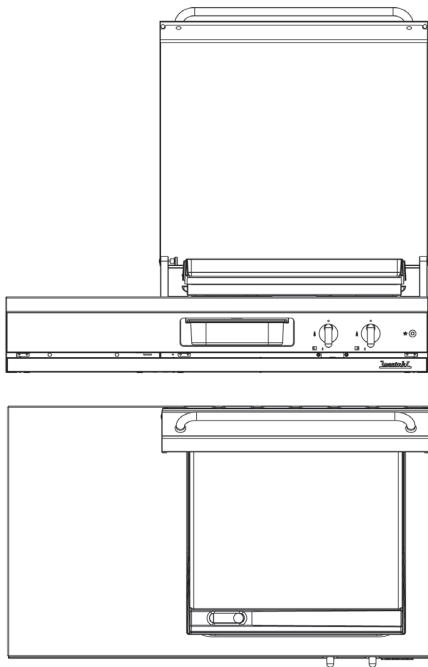


# OpenCook

INTEGRATED MODULES  
WITH LIDS

WSG 1120





## Enamelled Plancha + Option

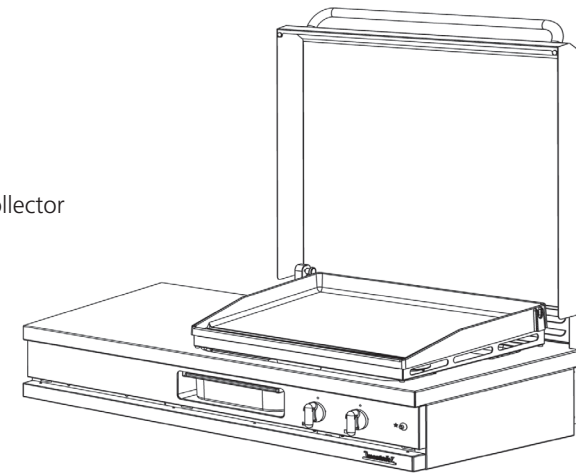
**Dimensions:**  
Width 1100mm  
Depth 650mm  
Height 210mm

**WSG 1120 PL-CD-G**  
**£3060.00**

Battery ignition  
LR6/AA-1,5 V  
to burners  
**WAEB**  
**£80.00**

### Specifications:

- Enamelled cast iron 6kW Plancha
- Cooking area size 500mm x 460mm
- Two 3kW independently controlled heat zones
- Cooking juice recovery system with removable collector
- With self-stabilising stainless-steel lid
- Stainless steel hob
- Thermocouple security for each burner
- Ignition to burners
- Power supply 13amp 230v N + T
- Gas supply standard LPG bottle



**Table options: Select one additional option to hob top**



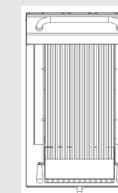
**WAG 010 UR-CD**  
**£1190.00**

1 x 5kW Burner  
with self-stabilising  
stainless-steel lid



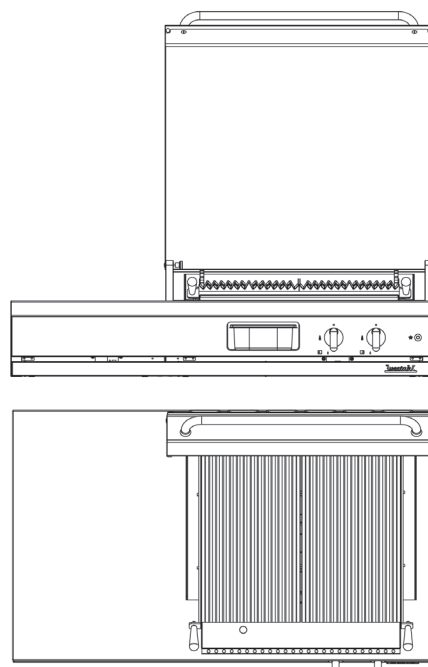
**WAG 020 R-CD**  
**£1290.00**

2 x 3kW Burner  
with self-stabilising  
stainless-steel lid



**WAG 010 CKG-D**  
**£2070.00**

Lava rock grill with  
self-stabilising  
stainless-steel lid



## Lava Rock Grill + Option

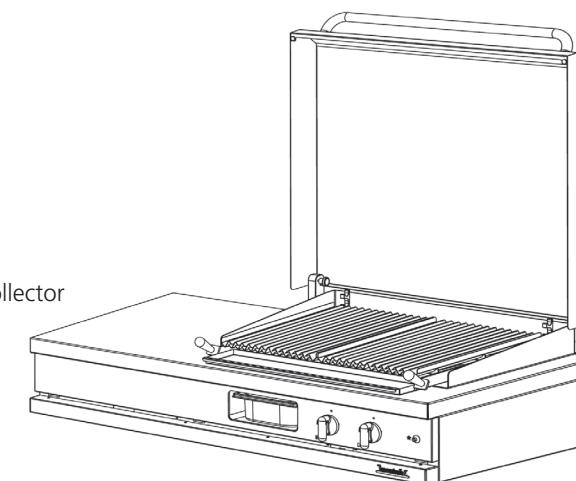
**Dimensions:**  
Width 1100mm  
Depth 650mm  
Height 210mm

**WSG 1120 CKG-CD-G**  
**£3840.00**

Battery ignition  
LR6/AA-1,5 V  
to burners  
**WAEB**  
**£80.00**

### Specifications:

- Gas burner 12kW
- Cooking surface area 520 x 470 mm
- Removable steel grid
- Adjustable cooking height on three levels
- Cooking juice recovery system with removable collector
- With self-stabilising stainless-steel lid
- Thermocouple security for burner
- Ignition to burner
- Power supply 13amp 230v N + T
- Supplied with a 6 kg bag of lava stones
- Gas supply standard LPG bottle

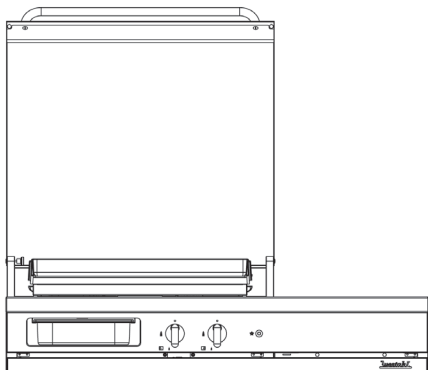


*OpenCook*

**INTEGRATED MODULES  
WITH LIDS**

**WSG 1120 D**





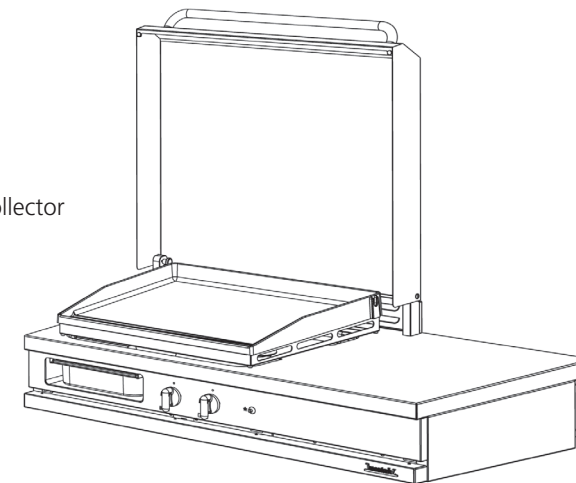
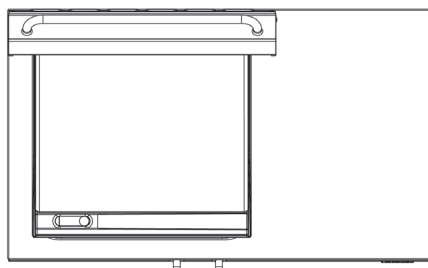
## Enamelled Plancha + Option

**Dimensions:**  
Width 1100mm  
Depth 650mm  
Height 210mm

**WSG 1120 PL-CD-D**  
£3060.00

Battery ignition  
LR6/AA-1,5 V  
to burners

**WAEB**  
£80.00



### Specifications:

- Enamelled cast iron 6kW Plancha
- Cooking area size 500mm x 460mm
- Two 3kW independently controlled heat zones
- Cooking juice recovery system with removable collector
- With self-stabilising stainless-steel lid
- Stainless steel hob
- Thermocouple security for each burner
- Ignition to burners
- Power supply 13amp 230v N + T
- Gas supply standard LPG bottle

**Table options: Select one additional option to hob top**



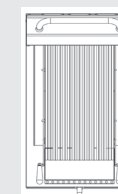
**WAG 010 UR-CD**  
£1190.00

1 x 5kW Burner  
with self-stabilising  
stainless-steel lid



**WAG 020 R-CD**  
£1290.00

2 x 3kW Burner  
with self-stabilising  
stainless-steel lid



**WAG 010 CKG-D**  
£2070.00

Lava rock grill with  
self-stabilising  
stainless-steel lid

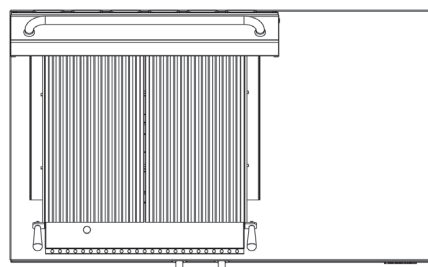
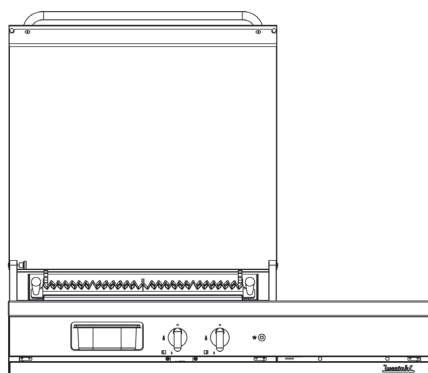
## Lava Rock Grill + Option

**Dimensions:**  
Width 1100mm  
Depth 650mm  
Height 210mm

**WSG 1120 CKG-CD-D**  
£3840.00

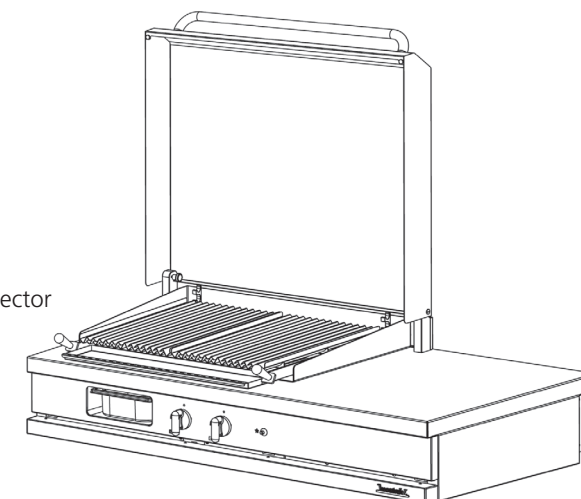
Battery ignition  
LR6/AA-1,5 V  
to burners

**WAEB**  
£80.00



### Specifications:

- Gas burner 12kW
- Cooking surface area 520 x 470 mm
- Removable steel grid
- Adjustable cooking height on three levels
- Cooking juice recovery system with removable collector
- With self-stabilising stainless-steel lid
- Thermocouple security for burner
- Ignition to burner
- Power supply 13amp 230v N + T
- Supplied with a 6 kg bag of lava stones
- Gas supply standard LPG bottle

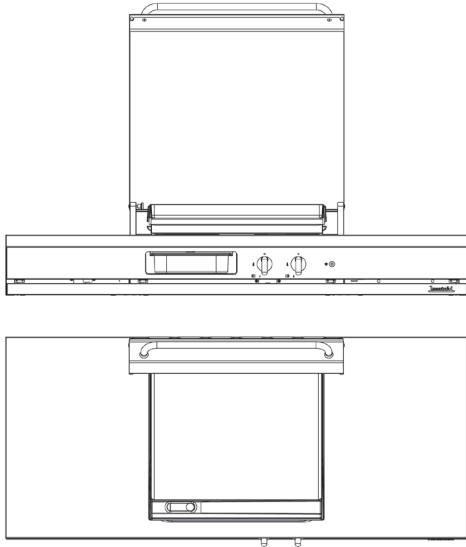


# OpenCook

**INTEGRATED MODULES  
WITH LIDS**

**WTA** 1520





## Enamelled Plancha + Option

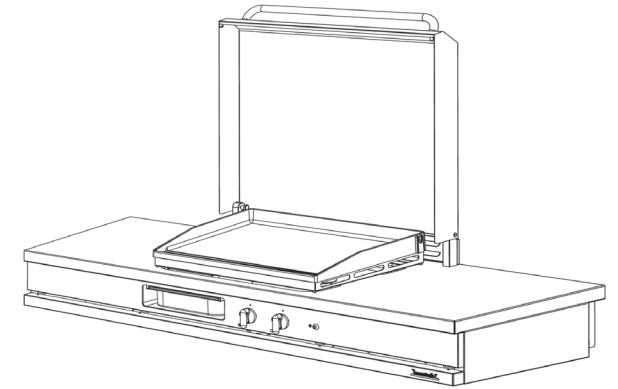
**Dimensions:**  
Width 1500mm  
Depth 650mm  
Height 210mm

**WSG 1520 PL-CD**  
**£3550.00**

Battery ignition  
LR6/AA-1,5 V  
to burners  
**WAEB**  
**£80.00**

### Specifications:

- Enamelled cast iron 6kW Plancha
- Cooking area size 500mm x 460mm
- Two 3kW independently controlled heat zones
- Cooking juice recovery system with removable collector
- With self-stabilising stainless-steel lid
- Stainless steel hob
- Thermocouple security for each burner
- Ignition to burners
- Power supply 13amp 230v N + T
- Gas supply standard LPG bottle

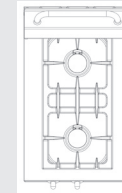


**Table options: Select two additional option to hob top**



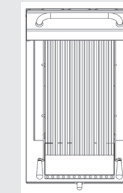
**WAG 010 UR-CD**  
**£1190.00**

1 x 5kW Burner  
with self-stabilising  
stainless-steel lid



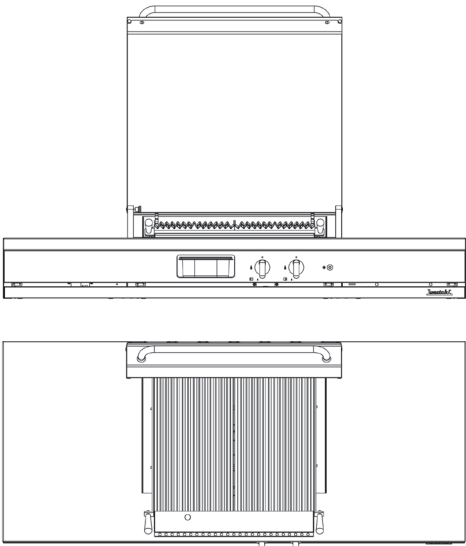
**WAG 020 R-CD**  
**£1290.00**

2 x 3kW Burner  
with self-stabilising  
stainless-steel lid



**WAG 010 CKG-D**  
**£2070.00**

Lava rock grill with  
self-stabilising  
stainless-steel lid



## Lava Rock Grill + Option

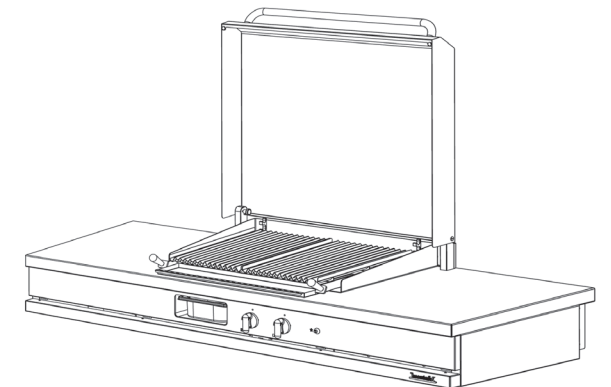
**Dimensions:**  
Width 1500mm  
Depth 650mm  
Height 210mm

**WSG 1520 CKG-CD**  
**£4430.00**

Battery ignition  
LR6/AA-1,5 V  
to burners  
**WAEB**  
**£80.00**

### Specifications:

- Gas burner 12kW
- Cooking surface area 520 x 470 mm
- Removable steel grid
- Adjustable cooking height on three levels
- Cooking juice recovery system with removable collector
- With self-stabilising stainless-steel lid
- Thermocouple security for burner
- Ignition to burner
- Power supply 13amp 230v N + T
- Supplied with a 6 kg bag of lava stones
- Gas supply standard LPG bottle





## INTEGRATED MODULES INSTALLATION GUIDANCE

The overall depth of all Open'Cook modules is 650mm (excluding handles). The recommended depth of the base of the furniture is 620mm. this will leave the control panel of the module 30mm in front of the furniture.

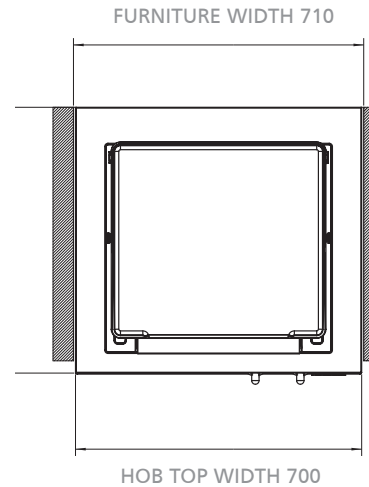
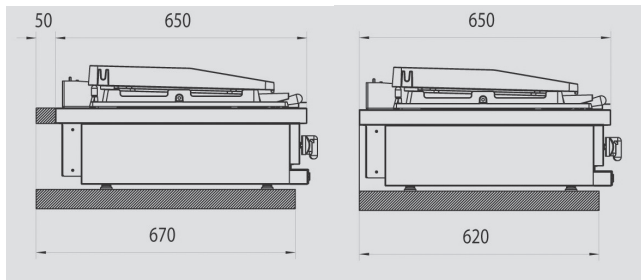
If the base of the furniture is 670mm. An infill panel of 50mm must be located behind the module so that the control panel of the module is 30mm in front of the furniture.

Any furniture used must be of sturdy construction.

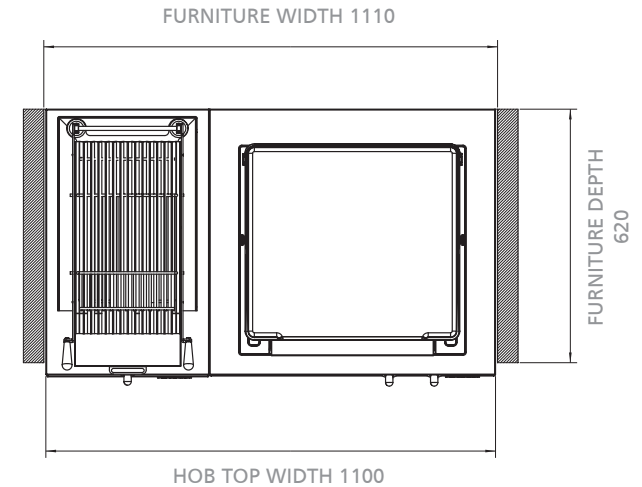
Unless battery ignition (WAEB) has been ordered with your integrated module, a suitable 230v power supply will be required for each integrated module.

It is recommended that integrated modules be installed under cover.

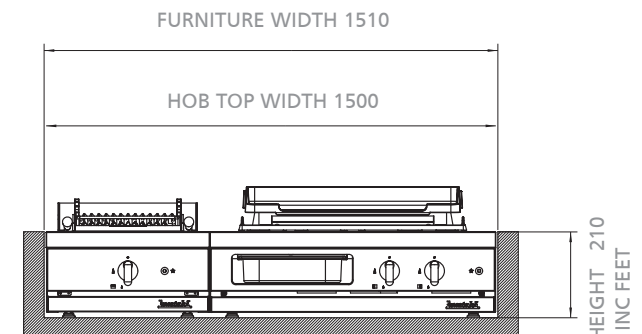
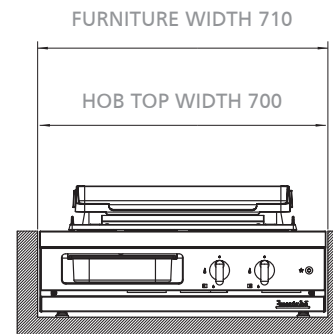
All measurements given are in mm.



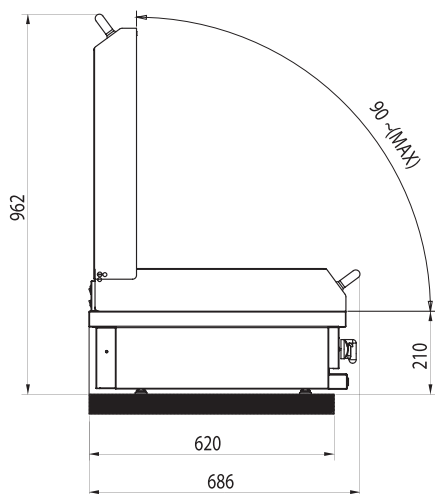
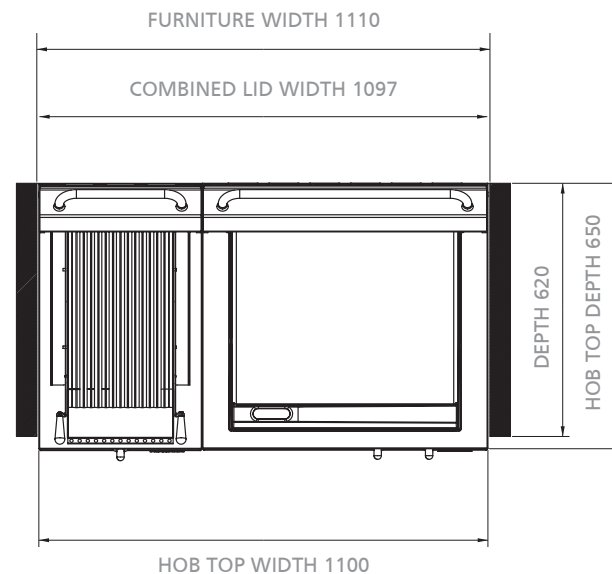
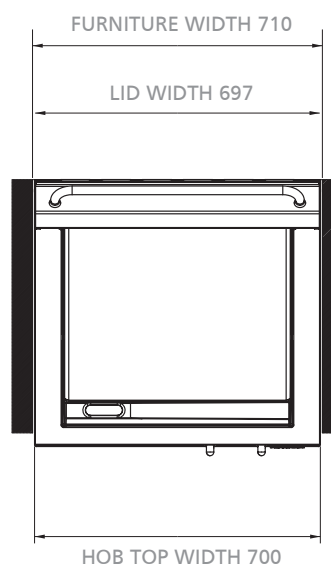
Example: 700mm



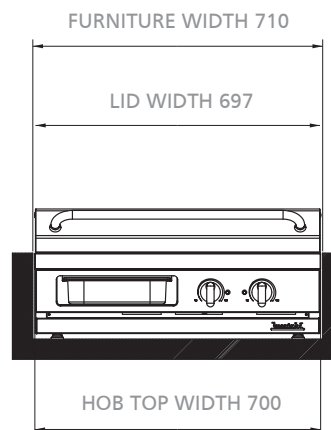
Example 400mm + 1100mm



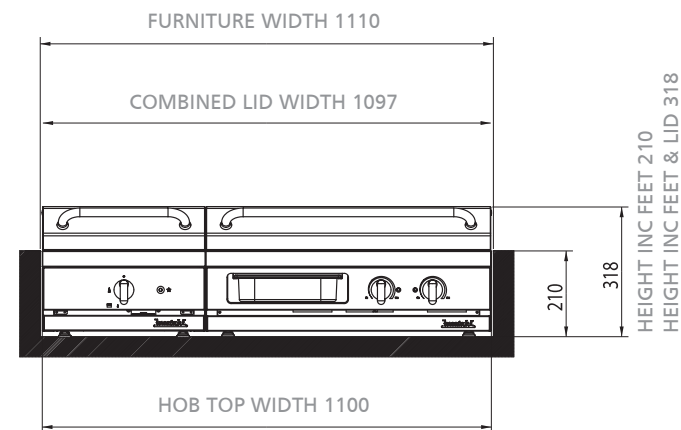




Example: 700mm With Lid



Example: 400mm + 700mm With Lid



# OpenCook

## ACCESSORIES





### WTDL 320

Heavy-duty stainless-steel shelf which can be positioned to the left or right of a mobile module. The shelf can be stored using WECH 350 storage rack. **£160.00**



### WPD

The handcraft chopping board can be placed on the WTDL 350 between two module units. It can also be stored using WECH 350. **£285.00**



### WTDL 350/700

Heavy-duty stainless-steel table which can be used to join two mobile modules together. Available in two widths 350mm or 700mm The WTDL 350 shelf can be stored using WECH 350 storage rack.

**WTDL 350 £160.00**  
**WTDL 700 £200.00**



### WBV

Wind Breaker Crown: This accessory limits the effect of the wind on the gas burner operation. **£80.00**



### WECH 350

Suspended 5 level gastronorm 1/1 racking for containers and trays. Suitable for WTG 1030 PL, WTG 1040 PL and WTG 1050. **£380.00**



### Winter Cover

The covers are made of polyester with a polyurethane coating on both sides to protect your Open Cook mobile module when not in use.  
**WHP 400 £210.00**  
**WHP 700 £230.00**  
**WHP 1000 £270.00**

# OpenCook





## GR2

### RIDGED GRIDDLE PLATE

Enamelled cast iron ridged griddle plate which sits over two burner pan stand set; it is perfect for searing and then cooking through meats with the minimum of added fats. The optimal heat for searing or cooking through can be obtained simultaneously on both ends of the plate by adjusting each of the two burners accordingly. Dimensions: 510 x 260 mm.

£240.00



## GSL

### SMOOTH GRIDDLE PLATE

Enamelled cast iron plate which sits over two burner set pan stand; it is ideal for English breakfasts, fried eggs, Welsh cakes etc. By adjusting each of the two burners, it is easy to fine-tune the heat of this sizeable plate.

Dimensions: 500 x 210 mm.

£280.00



## LRG

### SMALL TRIVET

To go above 1.5 kW, 3 kW and 4 kW burners to allow the use of small pans.

£31.00



## PCF-1

### SIMMER PLATE

This enamelled cast iron plate sits over two burner set pan stand. It provides a gentle, constant heat that can be easily adjusted by changing the pan's position. Ideally suited for cooking which requires a long simmer time and for keeping cooked food warm.

Dimensions: 510 x 260 mm.

£230.00



## LGRC

### LARGE TRIVET

To go above the large 5 kW classic open burner to allow the use of small pans.

£46.00



## WOKL

### WOK RING

For supporting cookware with spherical bases. This accessory made of enamelled cast iron, supports wok bowl or similar utensils. It can sit over all gas burners.

£90.00

# OpenCook

## IMPORTANT INFORMATION



## FEATURES AND RECOMMENDATIONS

Manufactured from 304 grade stainless steel, cast aluminium and enamelled steel, ensures that Open'Cook is resistant to the British climate.

The Open'Cook Mobile and Integrated Modules are specially designed to equip outdoor kitchens. Constructed for intensive use, Open'Cook plancha, lava grills and gas burners have the same performance as our professional equipment, whilst being ergonomic, easy to install, use and maintain.

## STORAGE & INSTALLATION

Open'Cook Mobile and integrated modules with lids can be placed and used outside, in the open air, in any season. It is however, recommended that the Mobile Modules are stored in a dry location for the British winter, or they can be stored outside using the winter covers (WHP) page \*\*

Open'Cook Integrated and Mobile Modules without lids, can be installed and used outdoors, but it is recommended that they are used under an awning, sheltered from the weather.

If the appliance is to be installed near a wall, partition or garden furniture, it is recommended that these be made of non-combustible material.

If this is not the case, they must be covered with a suitable material, a good non-combustible thermal insulator. Special attention must be paid to comply with any fire prevention regulations.

The instructions in the technical manuals must be followed.

## CONNECTION

The gas supply is carried by a gas connection on gas cylinders equipped with a flexible hose and suitable pressure regulators (28 mbar for butane / 37 mbar for propane).

Gas bottle required for Mobile modules 5kg Patio gas bottle (Propane).

The connection of the Integrated Modules to a natural gas supply is possible as an option (Please specify when ordering).

Power for the ignition on Mobile Modules is supplied by independent batteries (LR 6/AA batteries – 1.5V).

Power supply for the ignition on Integrated Modules is by a mains connection (230 V + N + E/5A). As an additional option, integrated modules can be specified with independent battery ignition at time of order.

Power supply for WTA 701 CT mobile oven is 230 V +N +E /16A.

The instructions in the technical manuals must be followed.

## DELIVERY

Standard delivery for Open'Cook is a doorstep delivery by an approved delivery company. The delivery company will notify you to arrange a delivery date. Deliveries take place between 9am – 5pm.

Re-delivery due to provision of inaccurate or incomplete information or at the recipient's fault will be chargeable.

Additional delivery costs may be charged for delivery to Highlands of Scotland, Northern Ireland and UK Islands - POA.

## WARRANTY

Your Open'Cook comes with a 3-year manufacturer's warranty which commences on the date of your delivery.

Fourneaux de France Ltd will repair free of charge any defects that arise due to faulty materials or workmanship within the 3-year warranty period. The warranty is subject to the following provisions:

The warranty does not cover accidental damage, misuse, neglect, incorrect installation, enamelled inner or outer parts, pan stands, oven cavity parts, brass burners, burner bodies, brass/chrome or other trims.

The product must be correctly installed, commissioned and operated in accordance with the instructions in the User's Manual.

It must be used solely for domestic purposes, and within the boundaries of the United Kingdom.

The warranty will be rendered invalid if the product is resold or has been damaged by inexpert repair.

Repairs due to the appliance being incorrectly commissioned will not be covered by the warranty.

All warranty repairs are completed by Lacanche trained engineers employed directly by Fourneaux de France Ltd and are all Gas Safe Registered. We only use genuine Lacanche spare parts.

## TERMS & CONDITIONS

Please refer to our website for all of our Terms & Conditions.  
[www.lacanche.co.uk](http://www.lacanche.co.uk)



01202 733011 • [www.lacanche.co.uk](http://www.lacanche.co.uk) • [info@fdef.co.uk](mailto:info@fdef.co.uk)

Fourneaux de France Ltd, 3 Albion Close, Newtown Business Park, Poole, Dorset BH12 3LL

This brochure does not form the basis of a contract. Fourneaux de France Ltd reserve the right to alter this specification without prior notice.